

Imprinter Unit

Operation Manual

Model No. KV-SS05

Before using this unit, please read these instructions completely.

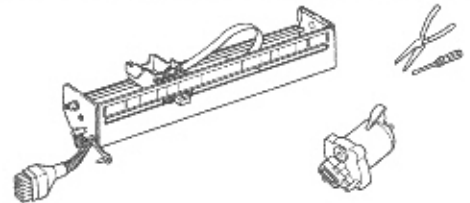
Precautions



Do not disassemble the imprinter unit and ink cartridge.

- The ink may come into contact with eyes.

If the ink comes into contact with eyes, rinse the area completely with fresh water. If irritation or pain remains after rinsing, consult with an ophthalmologist immediately.

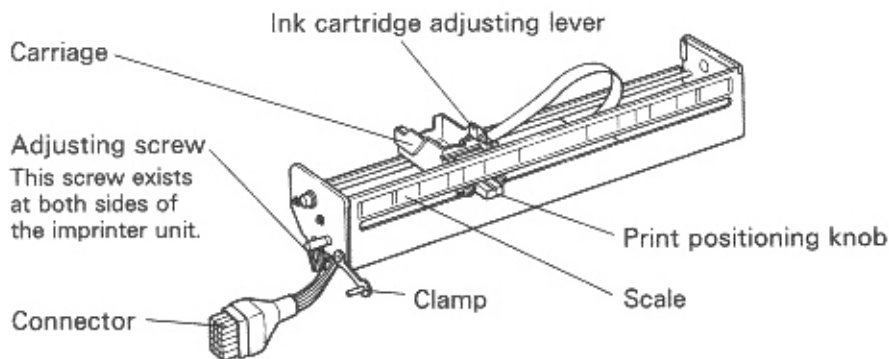


Keep the ink cartridge out of children's reach.



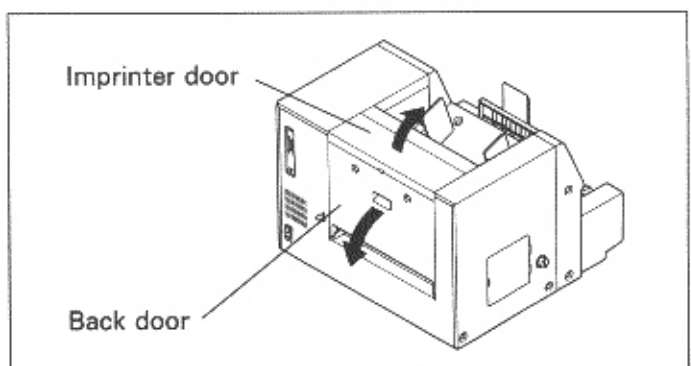
WHEN THE INK CARTRIDGE IS AT THE END OF IT'S USEFUL LIFE, DO NOT DISPOSE IT IN FIRE.

Component Identification



Installing the Imprinter Unit

- 1 Turn off the scanner's (KV-SS855/SV855 series) power and remove the power cord.
- 2 Open the imprinter door and the back door of the scanner (KV-SS855/SV855 series).



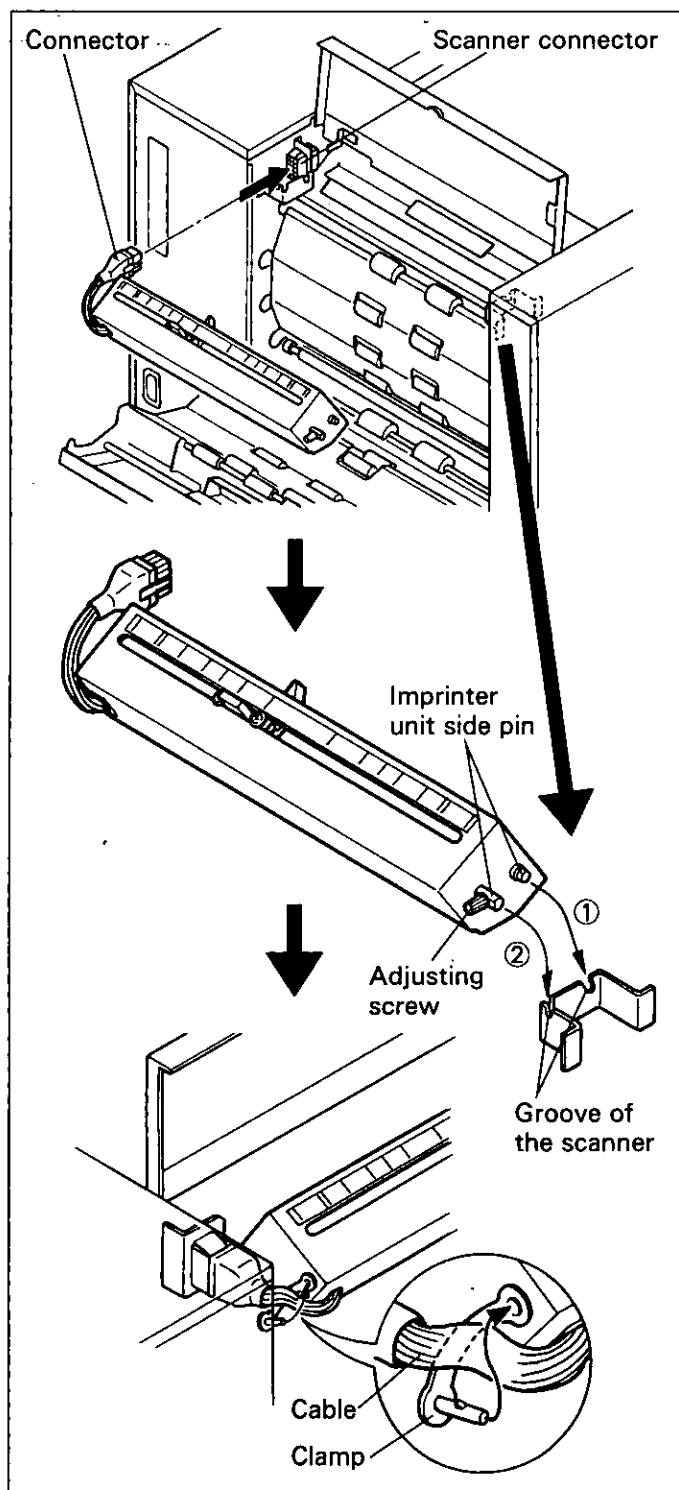
3 Insert the connector of KV-SS05 into the scanner (KV-SS855/SV855 series) connector.

- Be sure to insert the connector completely.

4 Attach the imprinter unit side pins and adjusting screws into the grooves of the scanner in order of ① and ② as shown in the diagram. Secure the imprinter adjusting screw by twisting the screw.

- Imprinter unit side pins and adjusting screws exist at the both sides of the imprinter unit.
- Confirm that the imprinter unit side pins and adjusting screws are completely attached into the groove of the scanner.

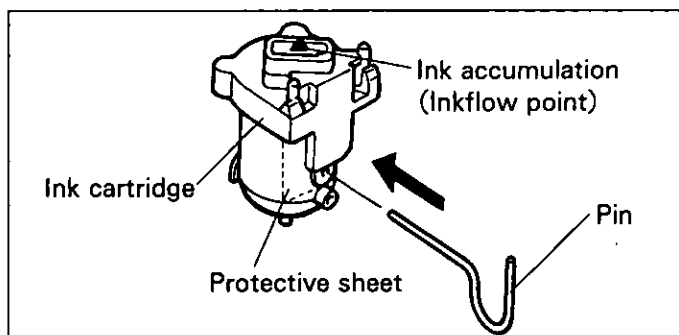
5 Secure the clamp around the cable as shown in the diagram.



Installing the Ink Cartridge

1 Press the ink bag using the included pin until the ink accumulates as shown in the diagram.

- When the ink bag becomes dirty, press the protective sheet.
- When installing or replacing the ink cartridge, move the print positioning knob to the "Ink Cartridge Exchange Area" on the imprinter unit scale.

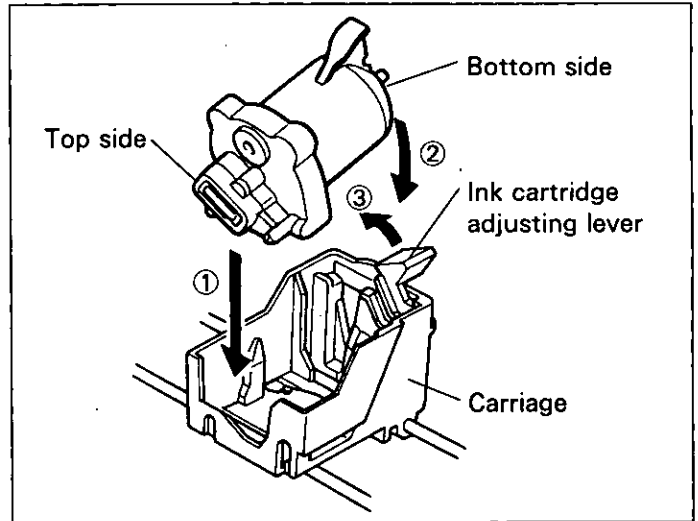


2 Remove any excess ink with tissue paper.

3 Insert the ink cartridge's top side into the carriage. (①)

Press the bottom side of the ink cartridge into the carriage (②) and then lock the ink cartridge adjusting lever. (③)

● Follow the sequence of ① through ③ in the diagram.



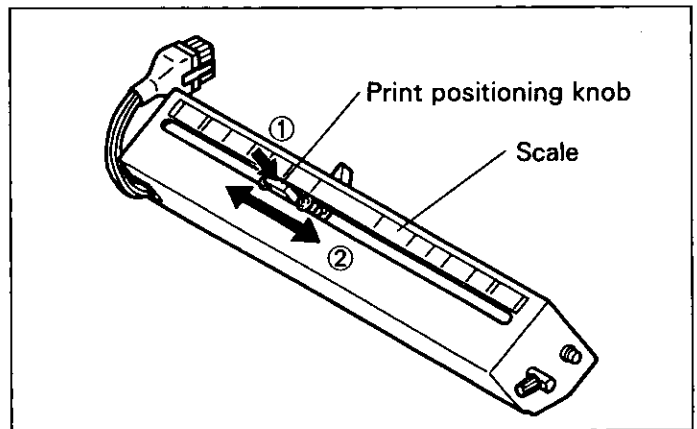
Ink cartridge cautions

- If the inkflow point is touched with hands or a dirty object, ink may not flow properly. Do not touch the inkflow point.
- Do not subject the ink cartridge to shock as it consists of many small components.
- Place the ink cartridge gently in a horizontal direction.
- If the date marked on the box has expired, the print quality may be affected.
- If the ink cartridge is not used within 6 months after unpacking the unit, the print quality may be affected.
- Be sure that the storage temperature is between 0°C and 40°C (32°F and 104°F).
- Store the ink cartridge away from direct sunlight.
- Do not clean the ink cartridge with alcohol.

Adjusting the Printing Position

Push the print positioning knob (①) firmly and move the knob to the desired printing position on the scale. (②)

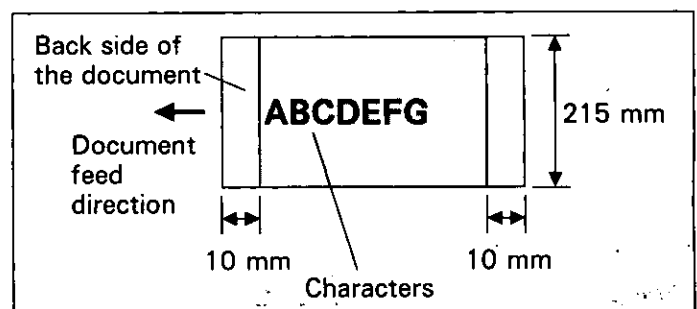
● Follow the sequence of ① and ② in the diagram.



Printing Area

The characters will be printed out in the same direction as shown in the shaded area in the diagram.

● Maximum 72 characters can be printed out.



Printable Characters Chart

SP	!	"	#	\$	%	&	'	()	*	+	,	-	.	/	0	1	2	3	4	5	6	7	8
9	:	;	<	=	>	?	@	A	B	C	D	E	F	G	H	I	J	K	L	M	N	O	P	Q
R	S	T	U	V	W	X	Y	Z	[\]	^	_	a	b	c	d	e	f	g	h	i	j	k
l	m	n	o	p	q	r	s	t	u	v	w	x	y	z	{		}	-						

Troubleshooting

If a problem occurs while the unit is being used, first check the following items. If the unit still malfunctions, switch it OFF, and call service.

Symptom	Possible Cause	Remedy
The unit does not print.	The connector is not connected.	Confirm that the connector is inserted completely.
	There is dirt on the top side of the ink cartridge.	Clean the top side of the ink cartridge with a tissue or the like.
	The ink is jammed. (If the unit is not used for a long period of time, it may not work properly.)	Perform installing the ink cartridge steps 1 and 2 again.
	The ink has run out.	Perform installing the ink cartridge steps 1 and 2 again. If nothing is still printed out, the ink has run out.
Printing is not complete-lack of dots.	There is dirt, etc. on the top side of the ink cartridge.	Clean the top side of the ink cartridge with a tissue or the like.
	The ink is jammed. (If the unit is not used for a long period of time, it may not work properly.)	Perform installing the ink cartridge steps 1 and 2 again.

Specifications

Unit	Printing side	Back side of the document
	Resolution	Main printing direction (Horizontal) : 55.8 dpi (0.455 mm) Sub-printing direction (Vertical) : 95.1 dpi (0.267 mm)
	Printing area	Vertical : excepted area is 10 mm from the top of the document and 10 mm from the bottom of the document Horizontal: 215 mm (manual setting)
	Nozzle number	12 nozzles
	Unusable documents	Plastic film, coated documents
	External dimensions (Width×Depth×Height)	285 × 65 × 50 mm (11.2 × 2.6 × 2.0 in.)
	Mass (Weight)	600 g (1.3 lbs.)
Operating Environment	Operating temperature and humidity	15°C to 30°C (59°F to 86°F), 30% to 80%RH
Storage Environment	Storage temperature and humidity	0°C to 35°C (32°F to 95°F), 10% to 80%RH
Accessories	Ink cartridge (KV-SS06)	

Panasonic Communications & Systems Company
Division of Matsushita Electric Corporation of America
 Two Panasonic Way, Secaucus, New Jersey 07094

Panasonic Canada Inc.
 5770 Ambler Drive, Mississauga, Ontario, L4W2T3

Matsushita Electric Industrial Co., Ltd.
 Central P. O. BOX 288, Osaka 530-91, Japan